

FRIGID-X™ MINI SPOT COOLER

Cool small parts and tooling with a compact spot cooler with no moving parts.

WHAT ARE THEY - REASONS TO USE

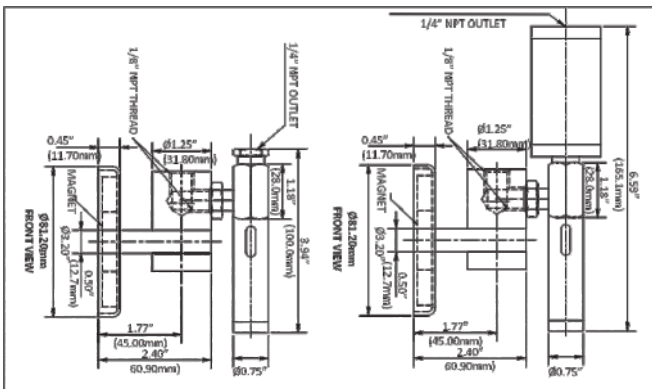
The Frigid-X™ Mini Spot Cooler is a low cost and maintenance free system which utilizes a vortex tube to produce cold air at one end. It is quiet and compact.

Designed for small parts, the Frigid-X™ Mini Spot Cooler produces a stream of 15 to 20 degree F (minus 9.5 to 7 degree C) of cold air to prevent heat buildup depending in inlet air temperature. It can improve tolerances in machining of small critical parts and increase production rates.

Cold air is directed using the flexible tubing. A magnetic base is standard for portability and easy mounting of the mini spot cooler

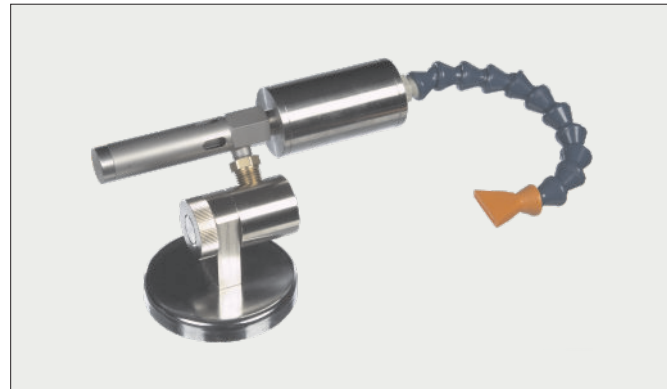
APPLICATIONS:

- ▶ Needle cooling on sewing machines
- ▶ Cooling small blades
- ▶ Grinding lenses and small parts
- ▶ Cooling small tools



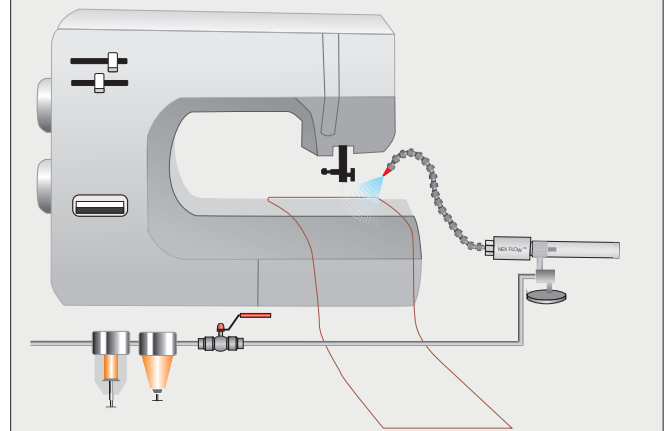
FRIGID-X™ MINI SPOT COOLER

PART NO.	DESCRIPTION
56008F	Mini Frigid-X™ Cooler only (no muffler)
56108F	Mini Frigid-X™ Cooler only (with muffler)
57008F	Frigid-X™ Mini Spot Cooler System c/w cooler, magnetic base, single point hose kit
56008F	Frigid-X™ Mini Spot Cooler only options
90003	Filter with Manual Drain 1/4" NPT



The Mini Spot Cooler utilizes a vortex tube to create one hot stream and one cold stream (see page 9). The cold air produced at the cold end is directed to the surface to be cooled using a flexible hose.

The Mini Spot Cooler is used in the cooling of needles on a sewing machine used to produce heavy materials for carpeting.



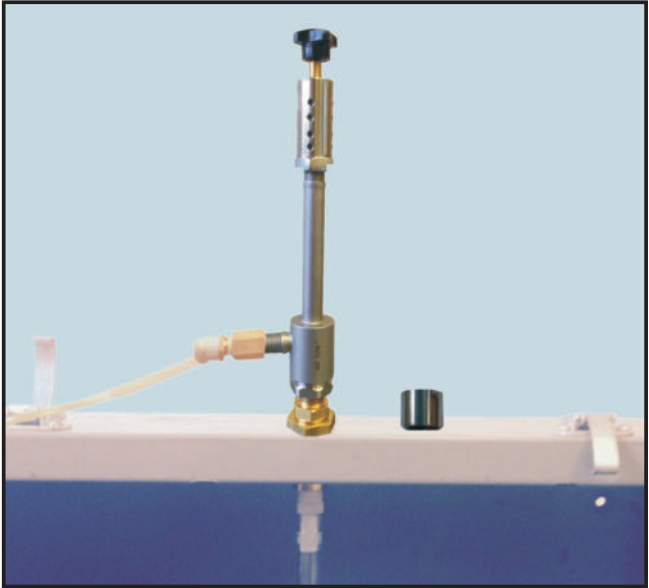
FRIGID-X™ BOX COOLER

Packaged System for cooling small enclosures



WHAT ARE THEY - REASONS TO USE

The Frigid-X™ Box Cooler is used for cooling small enclosures for laboratory use, environmental chambers and any application where an enclosure needs cooling (Note: Not approved for electrical and electronic control panels but may be used if approvals not required). This low cost system utilizes a stainless steel vortex tube with an adjustable hot end to control the temperature produced in the enclosure. In the package are all the necessary items to attach the vortex tube along with a separate venting unit to exhaust the hot air being displaced inside the enclosure. An optional hose distribution kit is available to distribute the cold air inside for larger enclosures. Also available is an optional solenoid and thermostat for on-off control.



List of parts:

- Vortex Tube
- Hot and adjustable with screwdriver or with optional hand adjusting system
- Breather Cap with Lock Nut
- Connecting assembly to box
- Adaptor and hose barb for hose kit
- Optional hose distribution kit

FRIGID-X BOX COOLER ADVANTAGES:

- No moving parts
- Maintenance Free Operation
- Compact & Easy to Install
- Cooling Capacities to 2900 BTU/hr.
- No CFC's or HCFC's
- Stainless Steel Construction
- No Electricity
- Adjustable Cold Temperatures

